



# LIGHTING CATALOGUE

Less Power , More Light



**EG.Light**  
EL SEWEDY



01000393917



22 Dr Soliman Azmy Rd.- El-Nozha-Cairo



[eglight-elsewedy.com](http://eglight-elsewedy.com)

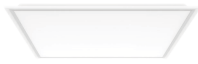


[info@eglight-elsewedy.com](mailto:info@eglight-elsewedy.com)

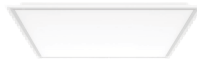
# Index

## Panels

Pages 1-10



GYPTO



GYPTO  
OSRAM



GYPTO  
PHILIPS



GYPTO  
LIGHTING SOLUTIONS



Cleanroom



LED Backlight Panel  
120\*30  
PHILIPS



Recessed  
LED Panel



Surface  
LED Panel



Recessed  
LED Backlight  
OSRAM



Moonip

## Down Lights

Pages 11-13



LED  
LED Surface Plafoniera



E27  
Surface Plafoniera



Spot COB

## Industrial Lights

Pages 14-16



High Bay



LED Tri Proof



Stream

## Accessories

Pages 17-20



LED Tube  
Lamp T8



Emergency Driver



LED Strip



Exit Sign

# Index

## Flood Lights

Pages 21-23



Fleco



Grand Bikasu



Bikasu

## Landscape

Pages 24-32



Polycarbonate  
Globe



UpLight



LED Spike  
COB



LED Spike  
SMD (Lens)



Side Uplight



Step Light



Up&Down Light



Double  
Wall Applique



Round Bulkhead



Oval Bulkhead

## Street lights

Pages 33-39



Racket  
SMD Street Light



Racket  
COB Street Light



PlayGround Light



Mars  
Street Light



Viola  
Street Light



Vela  
Street Light



Megan  
Street Light



# INDOOR LIGHTING CATALOGUE

Less Power , More Light.



**EG.Light**  
EL SEWEDY



01000393917



22 Dr Soliman Azmy Rd.- El-Nozha-Cairo



[eglight-elsewedy.com](http://eglight-elsewedy.com)



[info@eglight-elsewedy.com](mailto:info@eglight-elsewedy.com)



# Gypto

GYPTO is a LED 60\*60 Backlight Panel suitable for general lighting its Installation can be Recessed or Surfaced

## Electrical features :

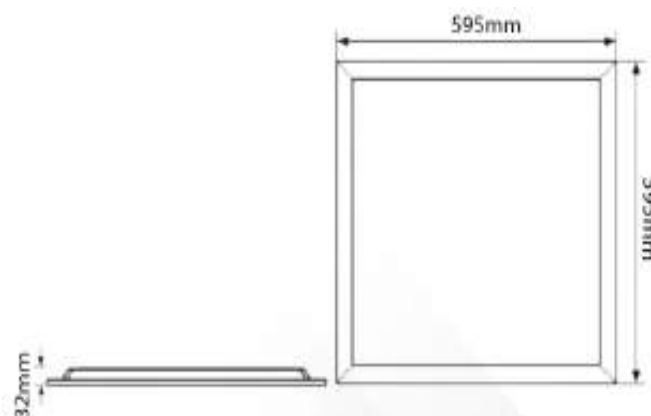
Power :	48 W
Input voltage :	220-240 V
Power factor :	>0.97
Frequency :	50-60 Hz
CCT :	3000 - 6500 k
Body material :	Aluminum
Diffuser material :	Polycarbonate Opal
CRI :	>0.80
Chip type :	Epistar-Sanan
Driver :	El Sewedy
IP :	44
Light source :	SMD

## Lumen :

48W (100 lm/W)	4800 lm
----------------	---------

## Life time & Warranty :

Life time :	30.000 Hrs
Warranty :	3 Years





# Gypto

## Electrical features :

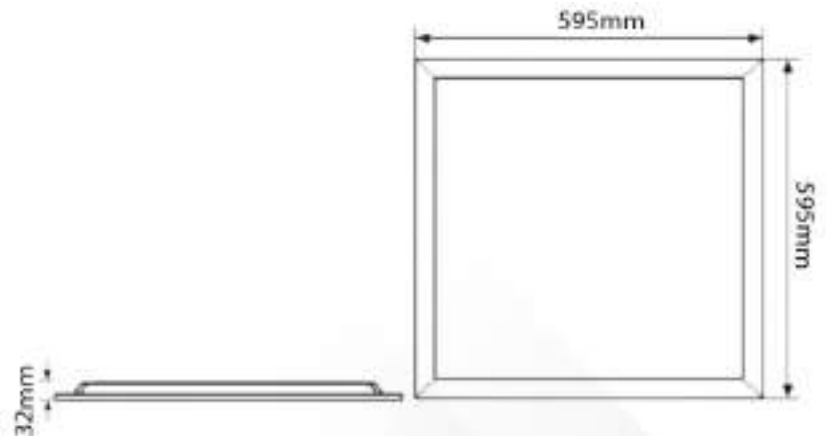
Power :	42 W
Input voltage :	220-240 V
Power factor :	>0.97
Frequency :	50-60 Hz
CCT :	6500 k
Body material :	Aluminum
Diffuser material :	Polycarbonate Opal
CRI :	>0.80
Chip type :	Osram
Driver :	Osram
IP :	44
Light source:	SMD

## Lumen :

42W (110 lm/W)	4620 lm
----------------	---------

## Life time & Warranty :

Life time :	50.000 Hrs
Warranty :	5 Years





# Gypto

## Electrical features :

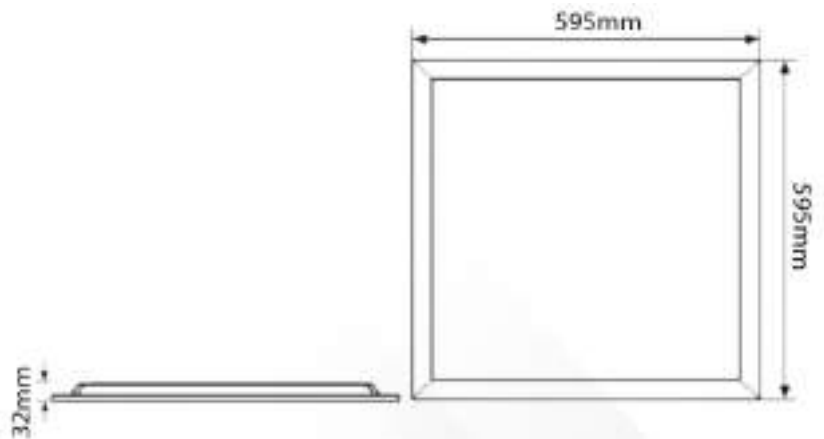
Power :	42 W
Input voltage :	220-240 V
Power factor :	>0.97
Frequency :	50-60 Hz
CCT :	6500 k
Body material :	Aluminum
Diffuser material :	Polycarbonate Opal
CRI :	>0.80
Chip type :	Philips
Driver :	Philips
IP :	44
Light source :	SMD

## Lumen :

42W (100lm/w)	4200 lm
---------------	---------

## Life time & Warranty :

Life time :	50.000 Hrs
Warranty:	5 Years





# Gypto

## Electrical features :

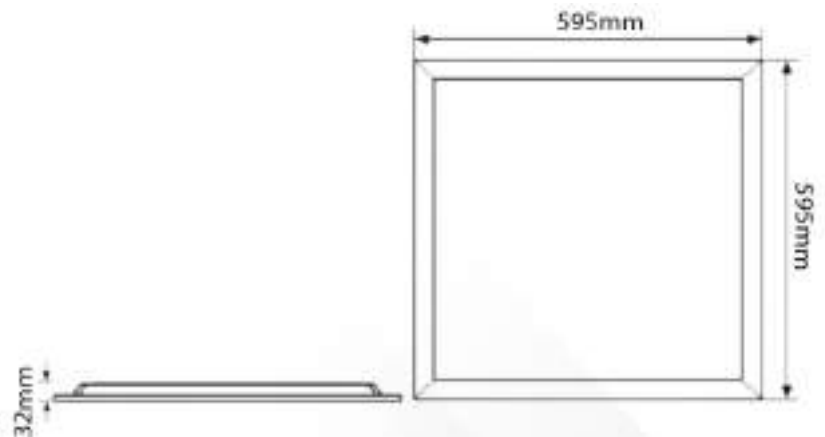
Power :	42 W
Input Voltage :	220-240 V
Power Factor :	>0.97
Frequency :	50-60 Hz
CCT :	6500 k
Body Material :	Aluminum
Diffuser Material :	Polycarbonate Opal
CRI :	>0.80
Chip Type :	Osram
Driver :	Vossloh-Chwabe
IP :	44
Light Source :	SMD

## Lumen :

42W (100 lm/W)	42000 lm
----------------	----------

## Life time & Warranty :

Life time :	50.000 Hrs
Warranty :	5 Years







# Cleanroom

CLEAN ROOM is a LED Backlight panel 60\*60 that can be used as an ANTIBACTERIAL housing due to its high IP rate

## Electrical features :

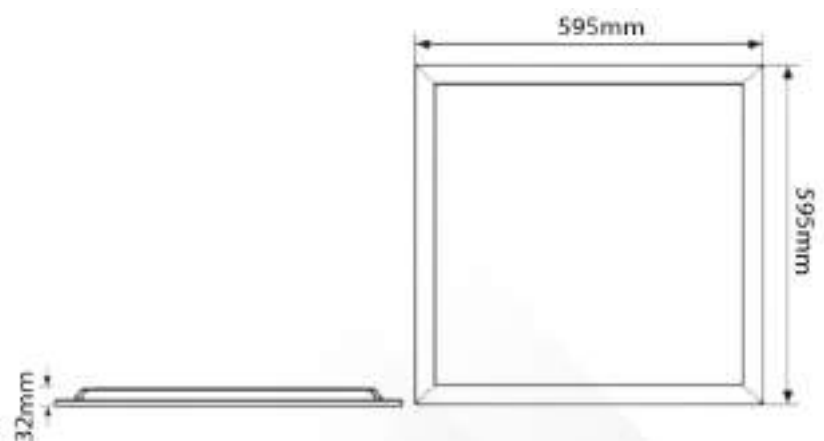
Power :	42,48 W
Input voltage :	220-240 V
Power factor :	>0.95
Frequency :	50-60 Hz
CCT :	3000-6500 k
Body material :	Aluminum
Diffuser material :	Polycarbonate
CRI :	>0.80
Chip type :	Epistar-Sanan-Osram
Driver :	El Sewedy-Osram
IP :	65
Light source :	SMD

## Lumen :

48 W (100 lm/W)	4800 lm
42 W (100 lm/W)	4200 lm

## Life time & Warranty :

Life time :	30.000 Hrs
Warranty :	3 Years





## LED Backlight Panel 120\*30

### Electrical features :

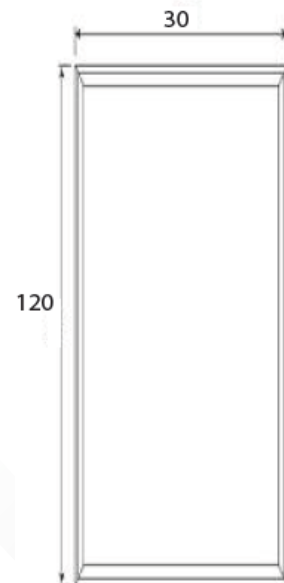
Power :	40 W
Input voltage :	220-240 V
Power factor :	0.97>
Frequency :	50-60 Hz
CCT :	3000-6500k
Body material :	Aluminum
Diffuser material	Polycarbonate opal
CRI :	>0.80
Chip type :	Philips-Lumiled
Driver :	Philips - El Sewedy
IP :	44
Light source :	SMD

### Lumen :

40 W ( 100 lm/W )	4000 lm
-------------------	---------

### Life time & Warranty :

Life time :	30.000 Hrs
Warranty :	3 Years





## Recessed LED Panel

### Electrical features :

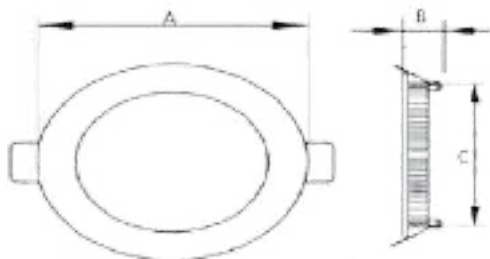
Power :	3-24 W
Input voltage :	220-240 V
Power factor :	>0.60
Frequency :	50-60 Hz
CCT :	3000-6500 k
Body material	Aluminum
Diffuser material	Polycarbonate Opal
CRI :	>0.80
Chip type:	Epistar-Sanan
Driver :	El Sewedy
IP :	44
Light Source :	SMD

### Lumen

3 W (100 lm/W)	300 lm
6 W (100 lm/W)	600 lm
12W (100 lm/W)	1200 lm
18 W (100 lm/W)	1800 lm
24 W (100 lm/W)	2400 lm

### Life time & Warranty :

Life time :	30.000 Hrs
Warranty :	3 Years



### Dimensions:

WATT	A	B	C
3W	85	22	70
6W	120	22	105
12W	170	22	155
18W	225	22	205
24W	300	22	285



# Surface LED Panel

## Electrical features :

Power :	6-24 W
Input voltage :	220-240 V
Power factor :	>0.95
Frequency :	50-60 Hz
CCT :	3000-6500 k
Body material :	Aluminum
Diffuser material :	Polycarbonate opal
CRI :	>0.60
Chip type :	Epistar-Sanan
Driver :	El Sewedy
IP :	44
Light source :	SMD

## Lumen :

6 W (100 lm/W)	600 lm
12W (100 lm/W)	1200 lm
18 W (100 lm/W)	1800 lm
24 W (100 lm/W)	2400 lm

## Life time & Warranty :

Life time :	30.000 Hrs
Warranty :	3 Years

## Dimensions :

WATT	A
3w	85
6w	120
12w	170
18w	225
24w	300



## Recessed LED backlight panel

### Electrical features :

Power :	20/30 W
Input Voltage :	220-240 V
Power Factor :	>0.90
Frequency :	50-60 HZ
CCT :	3000 - 6500 k
Body Material :	Aluminum Steel Sheet
Diffuser Material :	Polycarbonate Opal
CRI :	>0.80
Chip Type:	Osram
Driver :	Osram
IP :	44
Light Source:	SMD

### Lumen :

20 W (110 lm/w)	2200 lm
30 W (110 lm/w)	3300 lm

### Life time & Warranty

Life Time :	50,000 Hrs
Warranty:	5 Years

### Dimensions :

20W	180 mm
30W	220 mm



# Moonnip

MOONNIP is a Round Surface Led Panel

## Electrical features :

Power :	20 W
Input voltage :	220-240 V
Power factor :	>0.95
Frequency :	50-60 HZ
CCT :	6500 K
Body material :	Aluminum
Diffuser material :	Polycarbonate Opal
CRI :	>0.60
Chip type :	Epistar-Sanan
Driver :	El Sewedy
IP :	44
Light source	SMD

## Lumen :

20 W (100 Lm/W)	2000 Lm
-----------------	---------

## Life time & Warranty :

Life Time :	30.000 Hrs
Warranty :	3 Years





## LED Surface Round Plafoniera

### Electrical features :

Power :	20-48 W
Input voltage :	220-240 V
Power factor :	>0.95
Frequency :	50-60 Hz
CCT :	3000-6500 k
Body material :	Aluminum Steel Sheet
Diffuser material:	Polycarbonate Opal
CRI :	>0.60
Chip type :	Epistar-Sanan
Driver:	El Sewedy
IP :	44
Light source :	SMD

### Lumen :

20 W (100 lm/W)	2000 lm
24 W (100 lm/W)	2400 lm
36 W (100 lm/W)	3600 lm
48 W (100 lm/W)	4800 lm

### Life time & Warranty:

Life time :	30.000 Hrs
Warranty :	3 Years

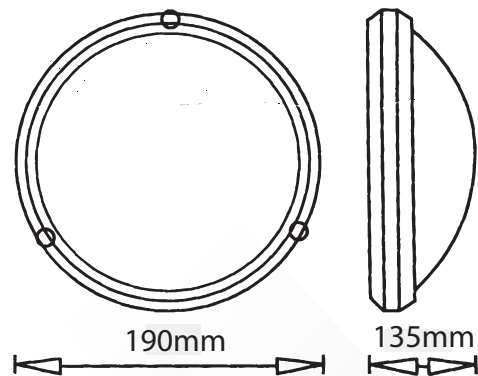




## Surface Round Plafonira

### Electrical features :

Body material :	Polycarbonate
Diffuser material :	Polycarbonate
Lamp holder :	E27 Lamp
Body color :	White
Finishing :	Electrostatic
Light source:	LED Lamp E27
IP :	65







## Spot COB

### Electrical features :

Power :	6-36 W
Input voltage :	220 - 240 V
Power factor:	>0.95
Frequency :	50-60 Hz
CCT :	3000 - 6500 k
Body material :	Die cast aluminum
Diffuser material :	Glass
CRI :	>0.80
Chip type	Epistar - Sanan
Driver :	Osram-Elsewedy
IP :	44
Light source	COB

### Lumen :

6 W (100 lm/W)	600 lm
7 W (100 lm/W)	700 lm
8 W (100 lm/W)	800 lm
10 W (100 lm/W)	1000 lm
15 W (100 lm/W)	1500 lm
30 W (100 lm/W)	3000 lm
32 W (100 lm/W)	3200 lm
36 W (100 m/W)	3600 lm

### Life time & Warranty :

Life time :	30.000-50.000 Hrs
Warranty :	3-5 Years





# Industrial High Bay

## Electrical features :

Power :	100-200 W
Input voltage :	220-240 V
Power factor :	>0.95
Frequency :	50-60 Hz
CCT :	3000 - 6500 k
Body material :	Aluminum Die Cast
Diffuser material :	Glass
CRI :	>0.75
Chip type :	Epistar-Sanan
Driver :	El Sewedy
IP :	65
Light source :	SMD

## Lumen :

100 W (100 lm/W)	10000 lm
150 W (100lm/W)	15000 lm
200 W (100 lm/W)	20000 lm

## Life time & Warranty :

Life time :	30.000 Hrs
Warranty :	3 Years





# LED Tri Proof

## Electrical features :

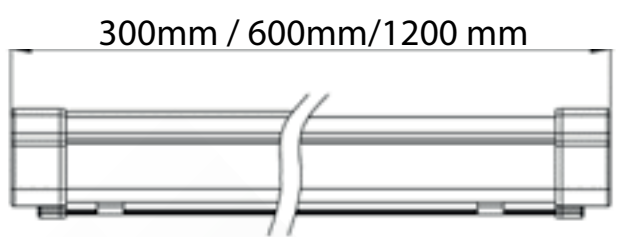
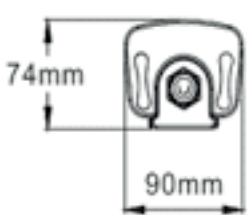
Power :	24 - 85 W
Input voltage :	220-240 V
Power factor :	>0.98
Frequency :	50-60 Hzz
CCT	3000 - 6500 k
Body material :	Aluminum
Diffuser material :	Polycarbonate
CRI	>0.80
Chip type :	Epistar
Driver	Netanq-Osram
IP :	67
Light source :	SMD

## Lumen :

24 W (110 Lm/W)	2640 lm
40 W (110 Lm/W)	4400 lm
85W (110 Lm/W)	9350 lm

## Life time & Warranty :

Life time :	30.000 Hrs
Warranty :	3 Years





# Stream

STREAM is a LED waterproof 120cm or 60 cm , that uses LED tube T8 as a light source , it's defined by its indestructible Polycarbonate Diffuser

## Electrical features :

Power :	9-36 W
Input voltage :	220-240 V
Power factor :	>0.97
Frequency :	50-60 Hz
CCT:	3000-6500 k
Body material :	ABS / Polycarbonate
Diffuser material :	Transparent Polycarbonate
CRI :	>0.80
Chip type :	Epistar-Sanan
Clips material:	Metal or Polycarbonate
IP :	65
Light source :	T8 Lamp

## Lumen :

1x9 W (100 lm/W)	900 lm
2x9 W (100 lm/W)	1800 lm
1x18 W (100 lm/W)	1800 lm
2x18 W (100 lm/W)	3600 lm





## LED Tube lamp T8

### Electrical features :

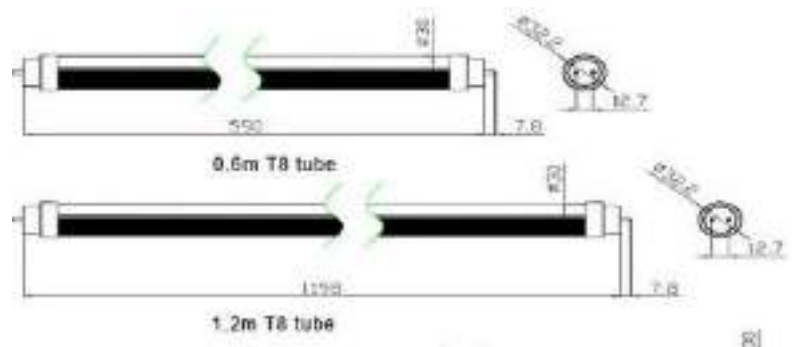
Power :	9-18 W
Input voltage :	220-240 V
Power factor :	>0.97
Frequency :	50-60 Hz
CCT :	3000-6500 k
Body material :	Polycarbonate
CRI :	>0.80
Chip type:	Epistar-Sanan
Beam angle:	270
IP :	40
Light source :	SMD

### Lumen :

9 W (100 lm/W)	900 lm
18 W (100 lm/W)	1800 lm

### Life time & Warranty :

Life Time :	30.000 Hrs
Warranty :	3 Years





## Universal LED emergency driver

### Electrical features :

Power :	3-50 W
Input voltage :	AC85-265V 50/60 Hz
Output :	3V-150VDC
Duration :	90-240 min
Battery :	3.7V 2500 mA
Charging time :	24 Hrs

### Warranty :

Warranty :	1 Year
------------	--------

### Product description :

- \_ Non maintained operation
- \_ Compatible with all dimmable and non-dimmable constant current LED driver
- \_ Automatic shutdown of output if LED load is out of range
- \_ Constant power output
- \_ Maximum light output for all LED modules
- \_ Short-circuit-proof battery connection
- \_ Deep discharge protection
- \_ Electronic charge system

**Note** : In case of emergency time , the power steps down for efficient use of the battery.



## LED Strip

### Electrical features :

Power :	9-14 W/m 16-20 W/m
Input voltage :	12 - 24 V DC
Power factor:	>0.95
Frequency :	50-60 Hz
CCT :	3000-6500 k
PCB width:	10 mm
LED Q'ty/m	120-240 PCS
Meters/Roll :	5 m/roll
CRI :	>90
Chip type :	Epistar - Sanan
Driver:	El Sewedy
IP :	20 - 65
Light source :	SMD

### Lumen :

120 led/m (85lm/w)	1200 lm/m
240 led/m (85lm/w)	1400 lm/m

### Life time & Warranty :

Life time :	30.000 Hrs
Warranty :	1 Year





## LED Exit Sign

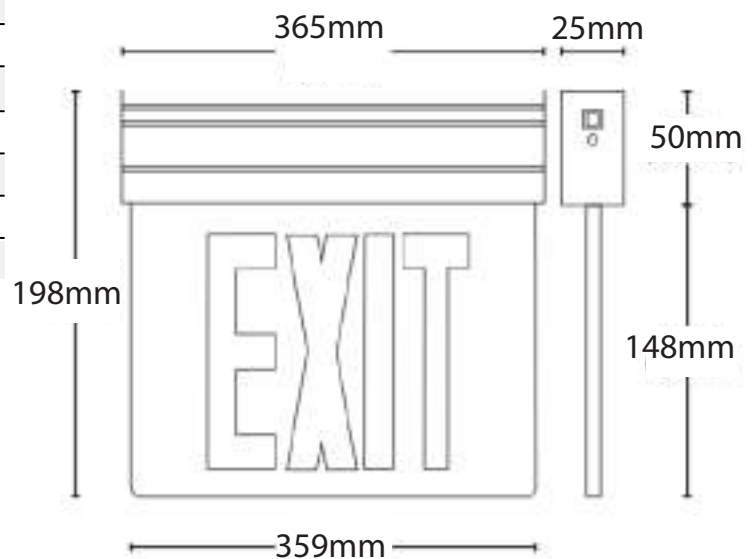
- » Exterior material is flame-retardant plastic PC. ACRYL indicator board. LED light source. with high quality NI-CD/NI-MH battery.
- » Applies advanced design of concepts, lighting designed as two-line operate mode, which
- » Extends operating life for the LED lighting source in the AC and DC , ensures the integrity of lighting source on emergency.  
Standard: EN60598-2-22
- » Manual type test button switch. LED indicate the working condition.
- » DC: work instructions window and emergency lighting window light on
- » AC: work instructions window light on

### Electrical features :

Input voltage:	220-240 V
Power factor :	>0.97
Frequency :	50-60 Hz
Operating temperature :	-10°C & -50 'C
Battery charging time :	24 hours
Body material :	plastic PC. Acryl
Operating time	180 min
Emergency LED	1*6 pcs LED
Battery :	1.2V 400mAH
Battery type :	NI-CD/NI-MH battery.

### Life time & Warranty :

Life time :	30.000 Hrs
Warranty :	1 Year







Less Power , More Light.



# OUTDOOR LIGHTING CATALOGUE

Less Power , More Light.



**EG.Light**  
EL SEWEDY



01000393917



22 Dr Soliman Azmy Rd.- El-Nozha-Cairo



[eglight-elsewedy.com](http://eglight-elsewedy.com)



[info@eglight-elsewedy.com](mailto:info@eglight-elsewedy.com)



## Fleco

FLECO is Flood light that has a unique shape that makes repairing easier , it uses a philips chip that helps producing high lm/w, it can be used to light a tunnel or wide area projects

### Electrical features :

Power :	200 - 1000 W
Input voltage :	100-240 V
Power factor :	>0.95
Frequency :	50-60 Hz
CCT :	5000-6500 k
Body material :	Aluminum
Diffuser material :	Glass
CRI :	>0.70
Chip type :	Philips
Driver :	El Sewedy - Philips
IP :	66
Light source :	SMD

### Lumen :

200 W (170 lm/W)	34000 lm
400 W (170 lm/W)	68000 lm
600 W (170 lm/W)	102000 lm
800 W (170 lm/W)	136000 lm
1000 W (170 lm/W)	170000 lm

### Life time & Warranty :

Life time :	30.000 Hrs
Warranty :	3 Years



## Grand Bikasu

GRAND BIKASU is a LED Flood Light that is suitable for outdoor use due to its high IP rate, Flood Lights are distinctive with its Reflector that helps producing a wide beam angle, they are ideal for projects that has a wide outdoor area

### Electrical features :

Power :	50-600 W
Input voltage :	220-240 V
Power factor :	>0.97
Frequency :	50-60 Hz
CCT :	3000 - 6500 k
Body material :	Aluminum
Diffuser material :	Glass
CRI :	>0.80
Chip type:	Epistar - Sanan
Driver:	El Sewedy
IP :	66
Light Source:	SMD

### Lumen :

50 W (120 lm/W)	6000 lm
100 W (120 lm/W)	12000 lm
150 W (120 lm/W)	18000 lm
200 W (120 lm/W)	24000 lm
300 W (120 lm/W)	36000 lm
400 W (120 lm/W)	48000 lm

### Life time & Warranty :

Life time :	50.000 Hrs
Warranty :	3 Years



## Bikasu

### Electrical features :

Power:	50-400 W
Input voltage	220-240 V
Power factor :	>0.97
Frequency :	50-60 Hz
CCT :	3000 - 6500 k
Body material :	Aluminum
CRI :	>0.80
Diffuser material :	Glass
Chip type :	Epistar - Sanan
Driver :	El Sewedy (OVP)
IP :	66
Light source :	SMD

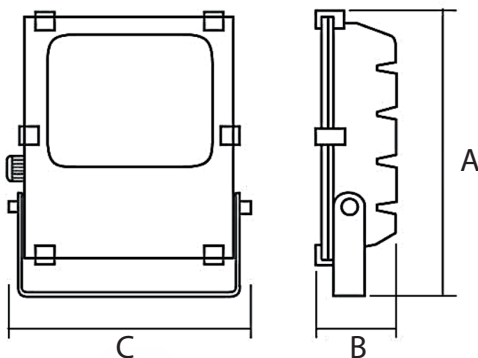
### Lumen :

50 W (120 lm/w)	6000 lm
100 W (120 lm/w)	12000 lm
150 W (120 lm/w)	18000 lm
200 W (120 lm/w)	24000 lm

### Life time & Warranty :

Life time :	30.000 Hrs
Warranty :	3 Years

### Dimensions :



WATT	A	B	C
50w	240mm	210mm	60mm
100w	285mm	255mm	80mm
150w	345mm	310mm	80mm
200w	380mm	350mm	95mm





## Polycarbonate Globe

### Product Data :

Lamp holder :	E27 Lamp
Body material :	Polycarbonate
Diffuser :	Opal
Diameter :	250,300 mm
IP :	65



## Up Light

### Electrical features :

Power :	3-30 W
Input voltage :	100 - 265 V
Power factor :	>0.6
Frequency :	50-60 Hz
CCT :	3000 - 6500 k
Body material :	Aluminum
CRI :	>0.80
Diffuser material :	Glass
Chip type :	Epistar - Sanan
Driver :	El Sewedy
Ip :	65
Light source	SMD / COB

### Lumen :

3 W	210 lm
5 W	350 Lm
10 W	700 Lm
20 W	1400 Lm
30 W	2100 Lm

### Life time & Warranty :

life Time :	30.000 Hrs
Warranty :	3 Years





# LED Spike

## Electrical features :

Power :	7- 20 W
Input voltage :	100 - 265 V
Power factor :	>0.6
Frequency :	50-60 Hz
CCT :	3000 k
Body material :	Aluminum
Diffuser material :	Glass
CRI :	>0.80
Chip type :	Epistar - Sanan
Driver:	El Sewedy
IP :	65
Light source :	COB

## Lumen :

7 W	70 lm/W (with cap)	490 lm
10 W	70 lm/W (with cap)	700 lm
12 W	70 lm/W (without cap)	840 lm
20 W	70 lm/W (without cap)	1400 lm

## Life time & Warranty :

Life time :	30.000 Hrs
Warranty :	3 Years





## LED Spike (Lens)

### Electrical features :

Power :	24 W
Input voltage :	100 - 265 V
Power factor :	>0.5
Frequency :	50-60 Hz
CCT :	3000 k
Body material :	Aluminum
Diffuser material :	Glass
CRI :	>0.70
Chip type :	Epistar - Sanan
Driver :	EL Sewedy
IP :	65
Light source	SMD

### Lumen :

24 W (60lm-70lm/W)	1440 - 1680 lm
--------------------	----------------

### Life time & Warranty :

Life time :	30.000 Hrs
Warranty :	3 Years



## Side Uplight

### Electrical features :

Power :	2-4 W
Input voltage :	100 - 265 V
Power factor :	>0.6
Frequency :	50-60 Hz
CCT :	3000 k
Body material :	Aluminum
Diffuser material :	Glass
CRI :	>0.80
Chip type :	Epistar - Sanan
Driver :	El Sewedy
IP :	65
Light source :	SMD with lens

### Lumen :

2 W (60lm-70lm/W)	120lm-140 lm
3 W (60lm-70lm/W)	180lm-210 lm
4 W (60lm-70lm/W)	240lm-280 lm

### Life time & Warranty :

Life time :	30.000 Hrs
Warranty :	3 Years



## Step light

### Electrical features :

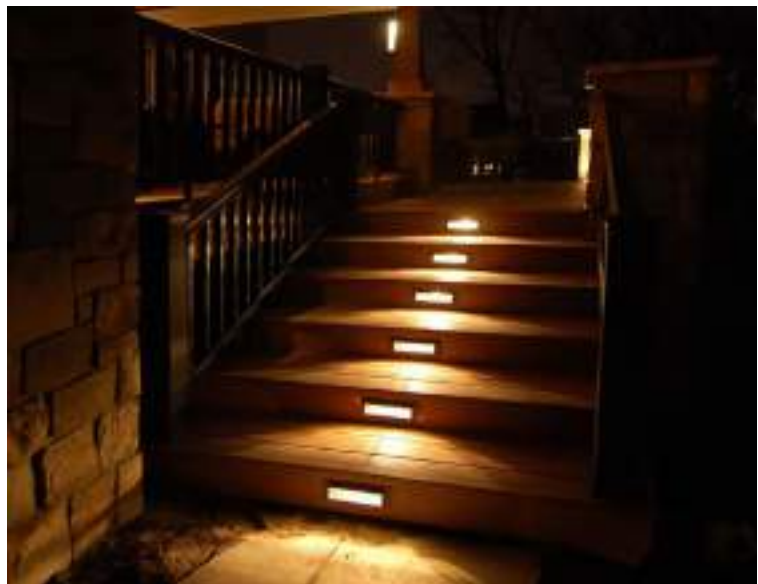
Power :	3-6 W
Input voltage :	100 - 265 V
Power factor :	>0.6
Frequency :	50-60 HZ
CCT :	3000 - 6500 k
Body material :	Aluminum
CRI :	>0.80
Chip type :	El sewedy
Driver :	Epistar - Sanan
IP :	65

### Lumen :

3 W (60 lm/W)	180 lm
5 W (60 lm/W)	300 lm
6 W (60 lm/W)	360 lm

### life time & Warranty :

Life time :	30.000 Hrs
Warranty :	3 Years





## Up and down

### Electrical features :

Power :	(2*5 W) , (2*9 W) , E27
Input voltage :	100 - 265 V
Power factor :	>0.6
Frequency :	50-60 Hz
CCT :	3000 - 6500 k
Body material :	Aluminum
CRI :	>0.80
Chip Type :	Epistar - Sanan
Driver :	El Sewedy
IP :	65
Body color :	Gray , Black

### Lumen :

2*5 W (70 lm/w)	700 lm
2*9 W (70 lm/w)	1260 lm

### Life time & Warranty :

Life time :	50.000 Hrs
Warranty :	3 Years



## Double Wall Applique

### Electrical features :

Power :	2*2 W
Input voltage :	100 - 265 V
Power factor :	>0.3
Frequency :	50-60 Hz
CCT :	3000 - 6500 k
Body material :	Aluminum
CRI :	>0.70
Chip type :	Epistar
Driver :	El Sewedy
IP :	65

### Lumen :

4 W (70 lm/W)	280 lm
---------------	--------

### Life time & Warranty :

Life time :	30.000 Hrs
Warranty :	3 Years

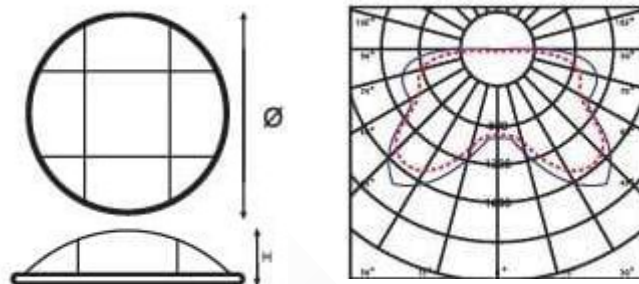




# Round Bulkhead

## Product Data :

Body Material :	Aluminum
Diffuser Material :	Glass
Body Color :	Black
IP :	65
Finishing :	Electrostatic
Size :	Small- Medium - Large

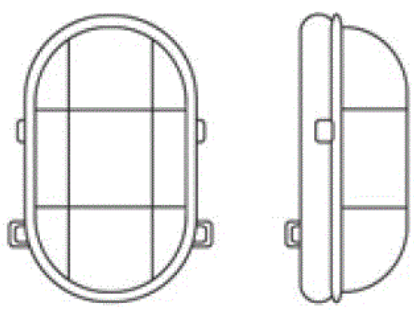




## Oval Bulkhead

### Product Data :

Body Material :	Aluminum
Diffuser Material :	Glass
Body Color :	Black
IP :	65
Finishing :	Electrostatic
Size :	Small- Medium - Large





## Racket SMD Street light

### Electrical features :

Power :	100-150-200 W
Input voltage :	220-240 V
Power factor :	>0.95
Frequency :	50-60 Hz
CCT :	3000-6500 k
Body material :	Aluminum
Diffuser material :	Glass
CRI :	>0.80
Chip type :	Epistar-Sanan
Driver :	EL Sewedy
IP :	65
Light source :	SMD

### Lumen :

100 W (100 lm/W)	10000 lm
150 W (100 lm/W)	15000 lm
200 W (100 lm/W)	20000 lm

### Life time & Warranty :

Life time :	30.000 Hrs
Warranty :	3 Years







## Racket SMD Street Light

### Electrical features :

Power :	100-150-200 W
Input voltage :	220-240 V
Power factor :	>0.95
Frequency :	50-60 Hz
CCT :	3000-6500 k
Body material :	Aluminum
Diffuser material :	100 lm/W
CRI :	>0.80
Chip type :	Epistar-Sanan
Driver :	EL Sewedy
IP :	65
Light source :	COB

### Lumen :

100 W (100 lm/W)	10000 lm
150 W (100 lm/W)	15000 lm
200 W (100 lm/W)	20000 lm

### Life time & Warranty :

Life time:	30.000 Hrs
Warranty :	2 Years





# Play Ground Light



## Electrical features :

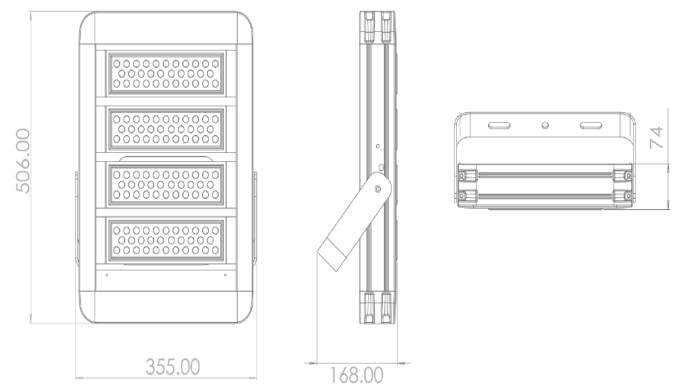
Power :	100-150-200 W
Input voltage :	220-240 V
Power factor :	>0.95
Frequency :	50-60 Hz
CCT :	3000-6500 k
Body material :	Aluminum
Diffuser material :	Glass
CRI :	>0.70
Chip type :	Epistar-Sanan
Driver :	EL Sewedy
IP :	65
Light source :	SMD

## Lumen :

1000 W 170 lm/ W	170000 lm
------------------	-----------

## Life time & Warranty :

Life time :	50.000 Hrs
Warranty :	5 Years





## Oval lens street light

### Electrical features :

Power :	50-150 W
Input voltage :	220-240 V
Power factor :	>0.98
Frequency :	50-60 Hz
CCT :	3000-6500 k
Body material :	Aluminum
Diffuser material :	Glass
CRI :	>0.80
CHIP TYPE :	Epistar-Sanan
DRIVER :	El Sewedy OVP to 380V
IP :	65
Light source :	SMD

### Lumen :

50 W (120 lm/W)	6000 lm
100 W (120 lm/W)	12000 lm
150 W (120 lm/W)	18000 lm

### Life time & Warranty :

Life time :	30.000 Hrs
Warranty :	2 Years



# Mars Street Light

## Electrical features :

Power :	100-150-200 W
Input voltage :	220-240 V
Power factor :	>0.95
Frequency :	50-60 Hz
CCT :	3000-6500 k
Body material :	Aluminum
Diffuser material :	Glass
CRI :	>0.80
Chip type :	Epistar-Sanan
Driver :	EL Sewedy
IP :	65
Light source :	SMD

## Lumen :

100 W	13000 lm
150 W	19500 lm
200 W	26000 lm

## Life time & Warranty :

Life time:	30.000 Hrs
Warranty :	3 Years





# Viola Street Light

## Electrical features :

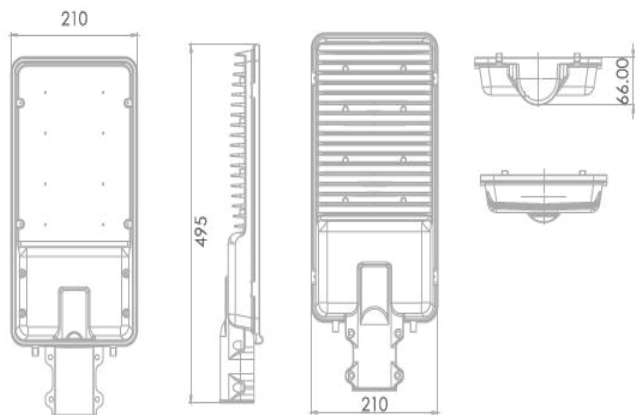
Power :	100-150-200 W
Input voltage :	220-240 V
Power factor :	>0.95
Frequency :	50-60 Hz
CCT :	3000-6500 k
Body material :	Aluminum
Diffuser material :	Glass
CRI :	>0.80
Chip type :	Epistar-Sanan
Driver :	EL Sewedy
IP :	65
Light source :	SMD

## Lumen :

100 W	130 lm/W	13000 lm
150 W	130 lm/W	19500 lm
200 W	130 lm/W	26000 lm

## Life time & Warranty :

Life time :	50.000 Hrs
Warranty :	5 Years



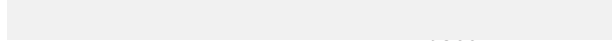


# Vela Street Light

## Electrical features :

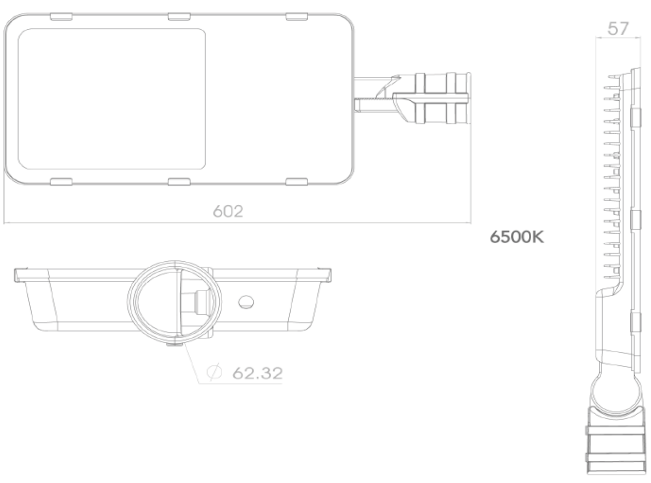
Power :	150 W
Input voltage :	220-240 V
Power factor :	>0.95
Frequency :	50-60 Hz
CCT :	3000-6500 k
Body material :	Aluminum
Diffuser material :	Glass
CRI :	>0.80
Chip type :	Epistar-Sanan
Driver :	EL Sewedy
IP :	65
Light source :	SMD

## Lumen :



## Life time & Warranty :

Life time :	50.000 Hrs
Warranty :	5 Years





## Megan Street Light

### Electrical features :

Power :	60 W
Input voltage :	220-240 V
Power factor :	>0.95
Frequency :	50-60 Hz
CCT :	4500-6500 k
Body material :	Aluminum
Diffuser material :	Glass
CRI :	>0.80
Chip type :	MLS
Driver :	EL Sewedy
IP :	65
Light source :	SMD

### Lumen :

60 w	6600 lm
------	---------

### Life time & Warranty :

Life time :	30.000 Hrs
Warranty :	3 Years



